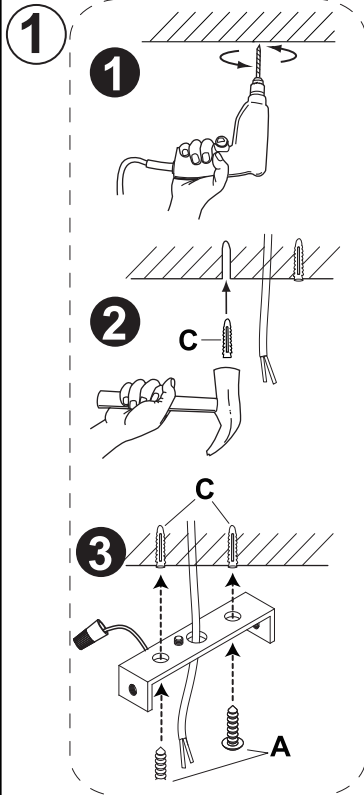





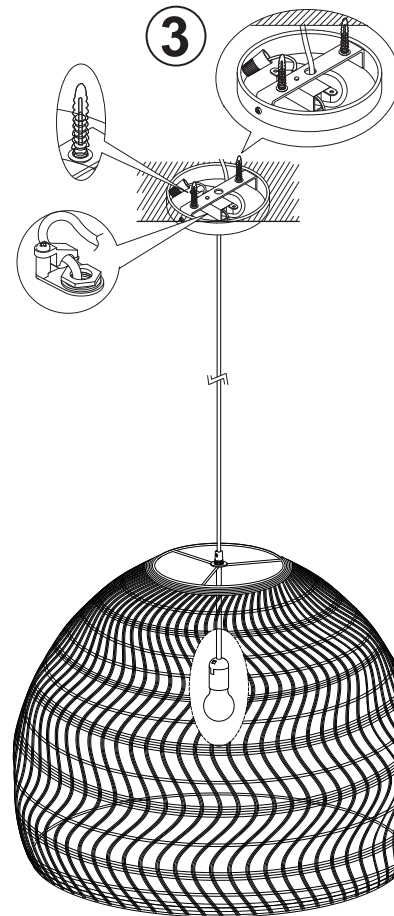
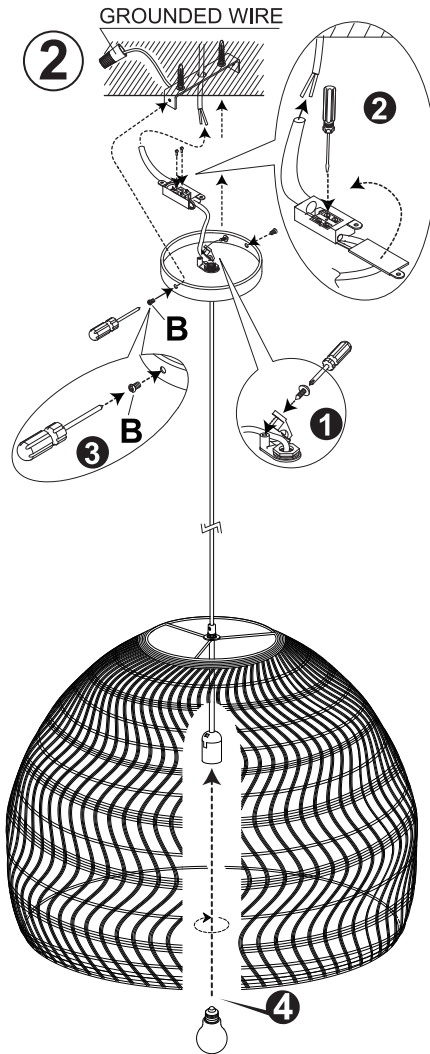
ASSEMBLY INSTRUCTION WICKER HANGING LAMP





 A X2
  B X2
  C X2
 SCREWS / PLASTIC CORK



BULB NOT INCLUDED



ITEM No.: VOL5015
 VOL5016
 SIZE : 60Ø X 47 CM. H
 MAX. 60W,  E27
 MAX. 60W,  E27

PS-RF9D-HK living